

**PROCESSOR
DSP AUDIO**

252 SHEET 4

RECEIVER

246 GND RX-ANT SHEET 3

SYNTH-VCO

2922 GND

POWER-AMP

93 GND RX-ANT SHEET 2

VCO sheet 6

Interface PCB

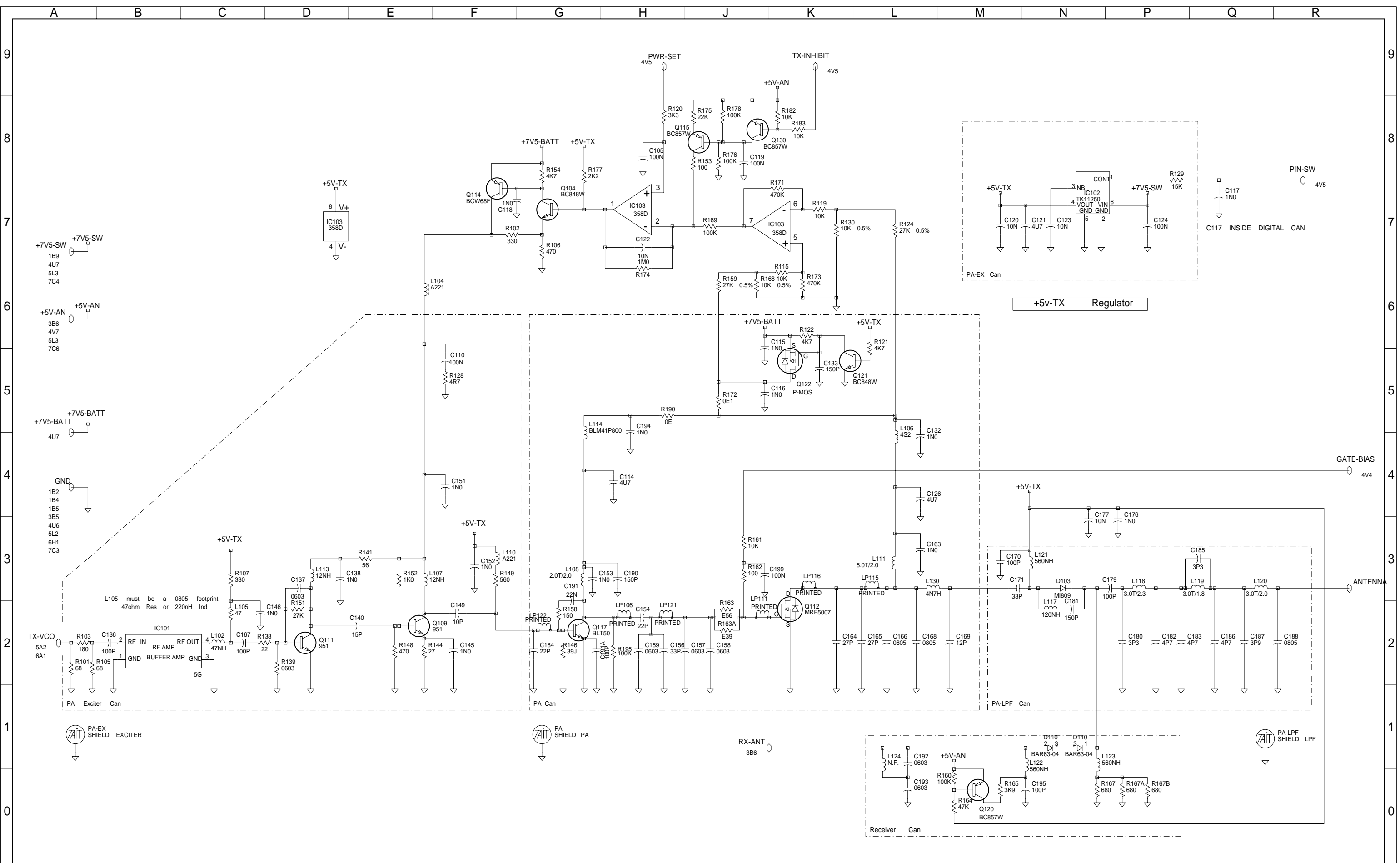
Connector Accessory

22WAY SIDE ENTRY FLEXI BRD SKT

12 WAY SKT

REV/ISS	AMENDMENTS	DRAWN	CHKD	D.O.	APVD	DATE
11A	CHANGE NOTE 500310					05-07-99
10B	CHANGED C572 FROM 0603 TO 0805					11-5-99
10A	MUTE MOD/ALC/BIRDY MODS					11-03-99
09A	UPDATES TO COIL PADS					04/02-99

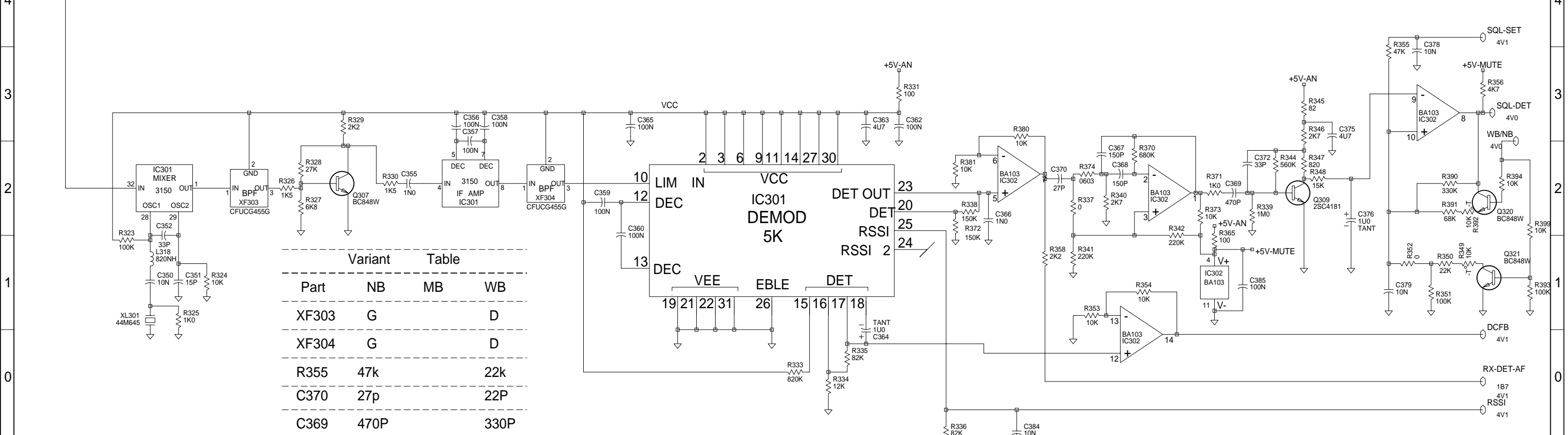
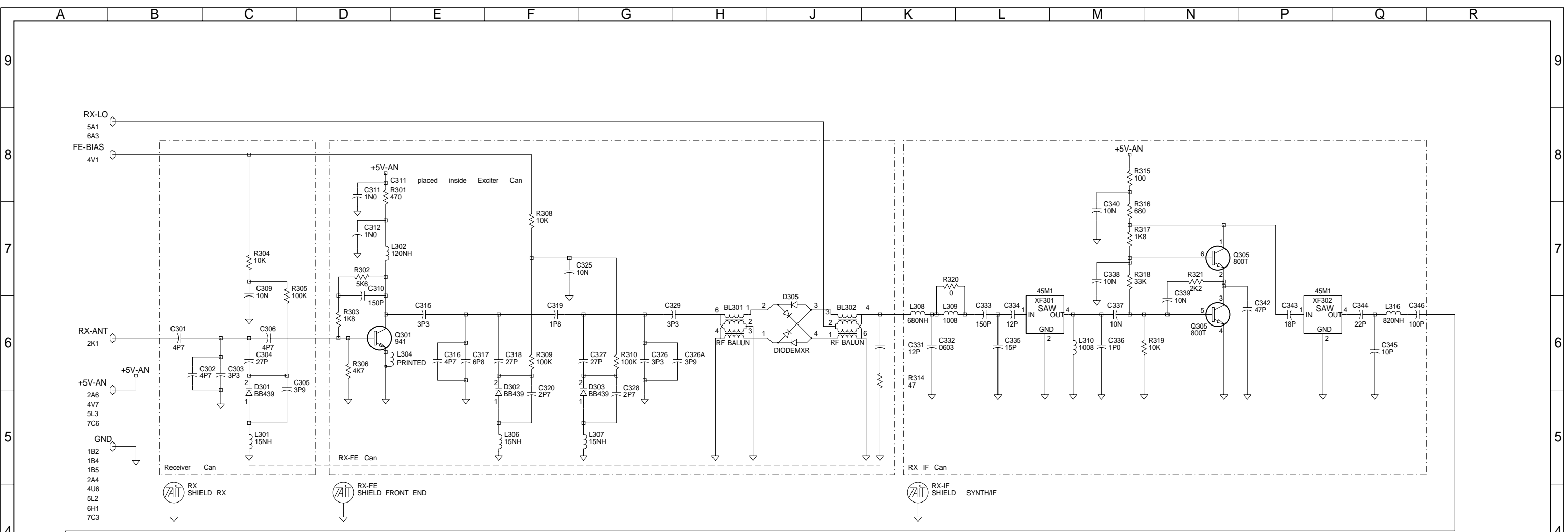
© TAIT ELECTRONICS			
ORCA : 400-440MHZ SYSTEM DIAGRAM			
IPN: 220-01392-11	ISSUE: A	ID: 2.S.C. 1	
PROJECT: ORCA	DESIGNER: BRD	FILE NAME: 139211A	FILE DATE: 04-08-99
			NO.SHEETS: 7

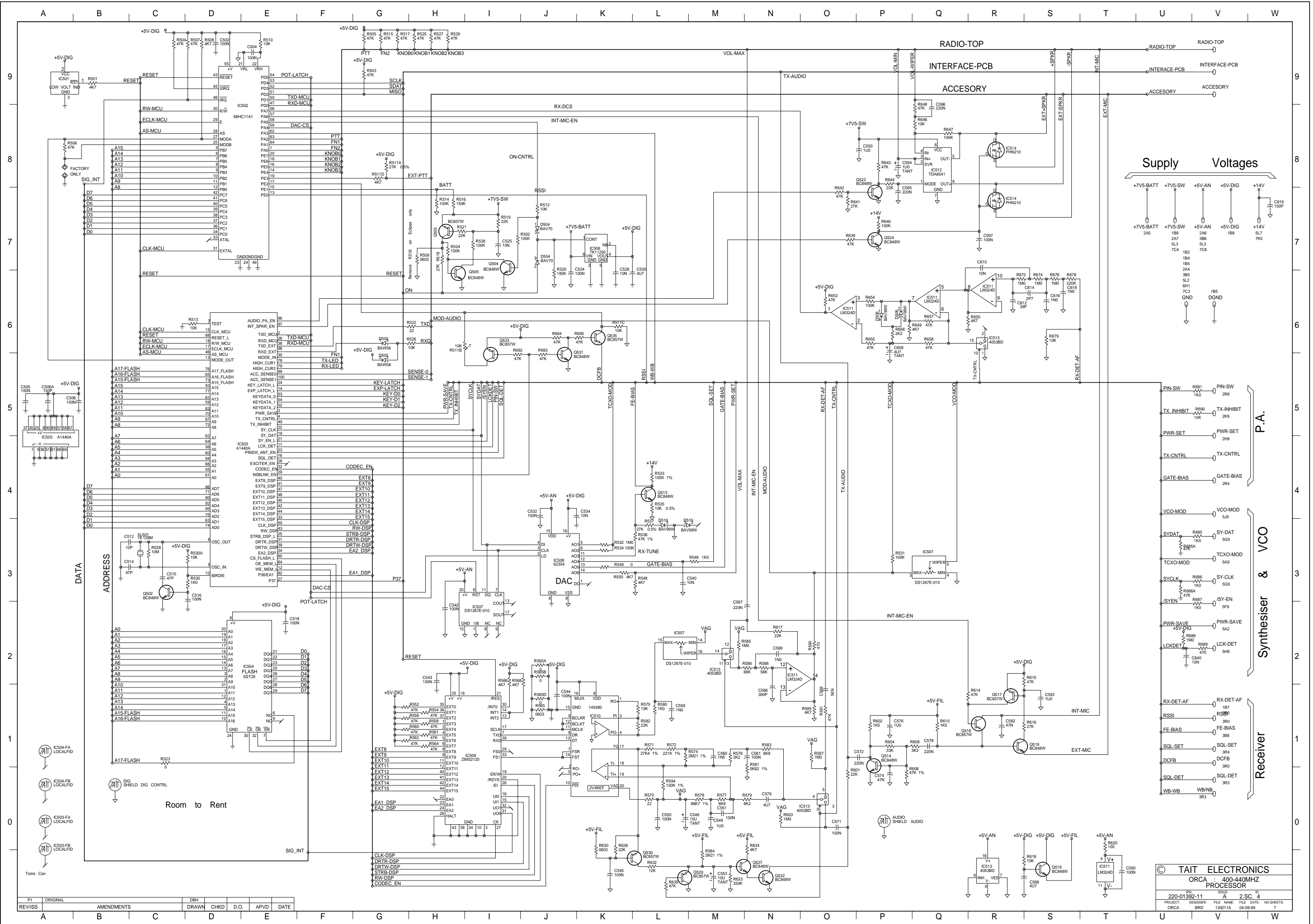


© TAIT ELECTRONICS
 ORCA : 400-440MHZ
 POWER AMPLIFIER

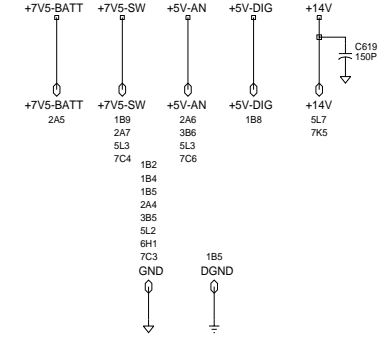
IPN: 220-01392-11	ISSUE: A	ID: 2.S.C. 2
PROJECT: ORCA	DESIGNER: BRD	FILE NAME: 139211A
FILE DATE: 04-08-99	NO.SHEETS: 7	

REV/ISS	AMENDMENTS	DRAWN	CHKD	D.O.	APVD	DATE
A						





Supply Voltages



- PIN-SW 288
- TX-INHIBIT 289
- PWR-SET 289
- TX-CNTRL 289
- GATE-BIAS 284
- VCO-MOD 510
- SYDAT 509
- TCXO-MOD 549
- SYCLK 509
- SYEN 509
- PWR-SAVE 542
- LCKDET 549
- RX-DET-AF 187
- RSSI 380
- FE-BIAS 388
- SOL-SET 384
- SOL-DET 383
- WB-WB 383

P.A.

Synthesiser & VCO

Receiver

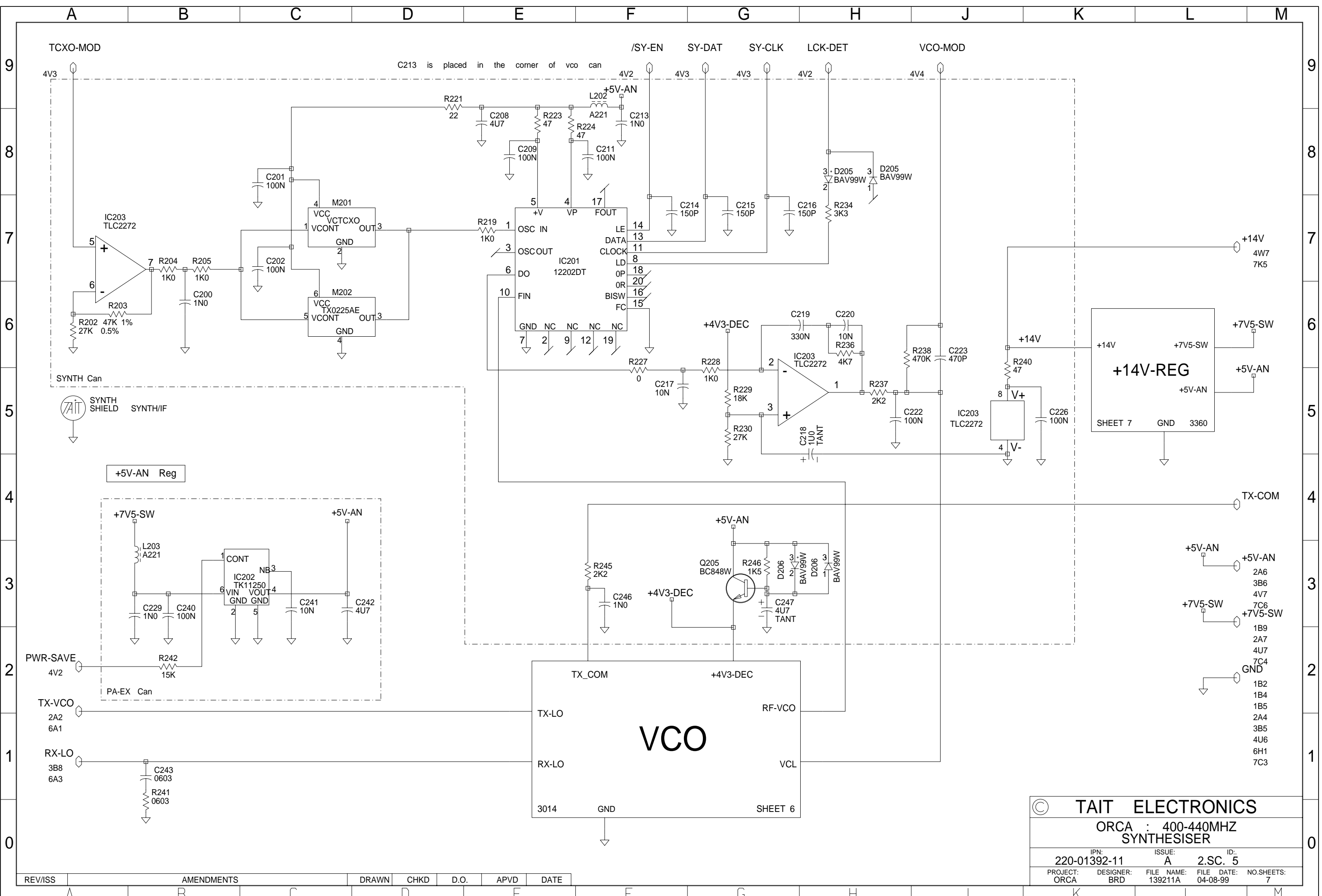
Room to Rent

© TAIT ELECTRONICS
 ORCA : 400-440MHZ
 PROCESSOR
 220-01392-11
 2.S.C. 4
 PROJECT: ORCA BRD 198211A FILE DATE: 04-09-99 NO SHEETS: 7

REV/ISS	ORIGINAL	AMENDMENTS	DRAWN	CHKD	D.O.	APVD	DATE
A							

P1 ORIGINAL
 REV/ISS

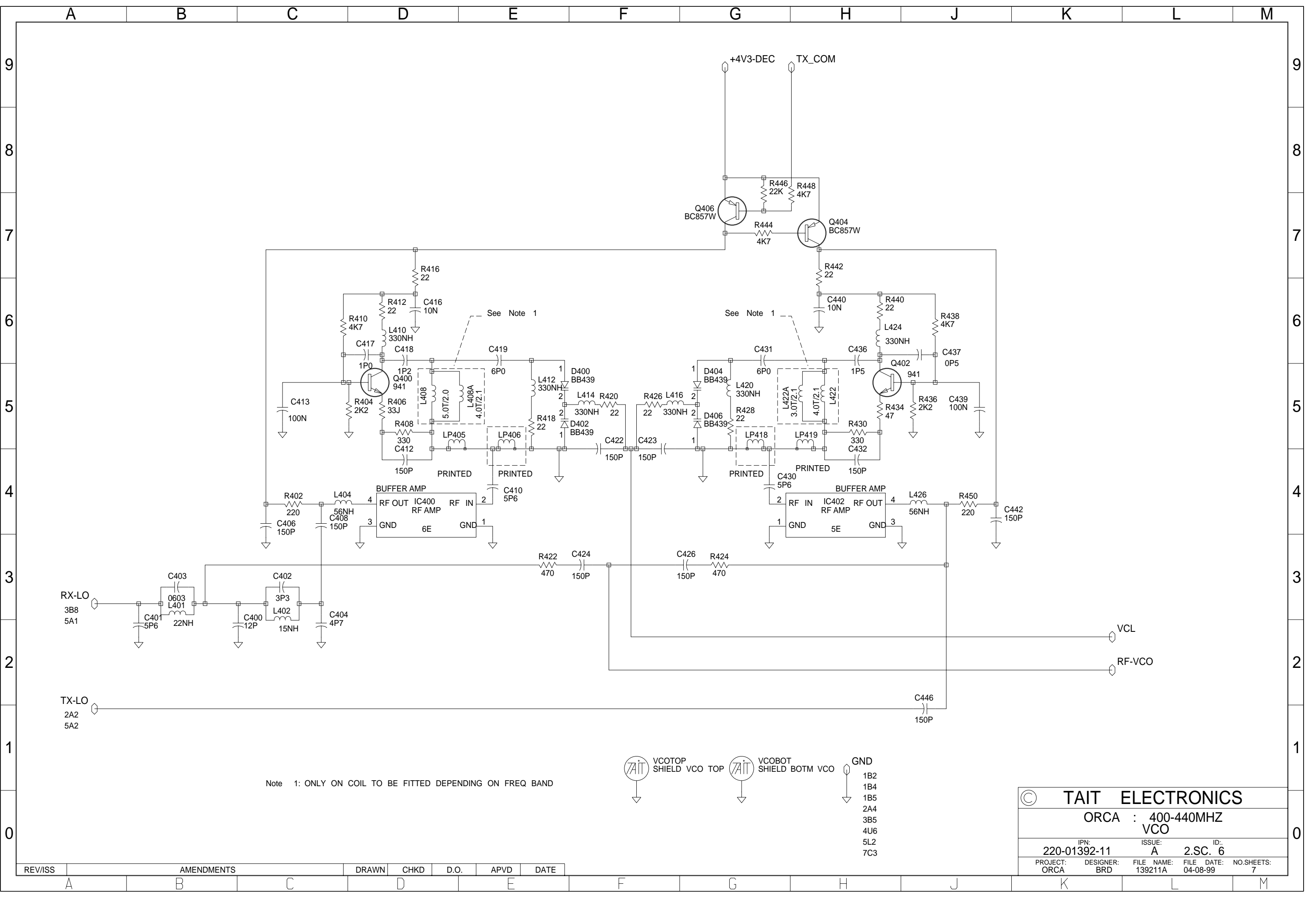
IC504-FA LOCALFID
 IC504-FB LOCALFID
 IC503-FA LOCALFID
 IC503-FB LOCALFID
 Toms Can



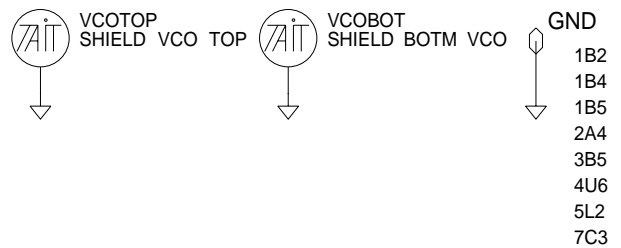
© TAIT ELECTRONICS
 ORCA : 400-440MHZ SYNTHESISER
 IPN: 220-01392-11 ISSUE: A ID: 2.SC. 5
 PROJECT: ORCA DESIGNER: BRD FILE NAME: 139211A FILE DATE: 04-08-99 NO.SHEETS: 7

REV/ISS	AMENDMENTS	DRAWN	CHKD	D.O.	APVD	DATE

- +5V-AN 2A6
- +5V-AN 3B6
- 4V7 4U7
- +7V5-SW 7C6
- +7V5-SW 1B9
- GND 2A7
- GND 4U7
- GND 7C4
- GND 1B2
- GND 1B4
- GND 1B5
- GND 2A4
- GND 3B5
- GND 4U6
- GND 6H1
- GND 7C3



Note 1: ONLY ON COIL TO BE FITTED DEPENDING ON FREQ BAND



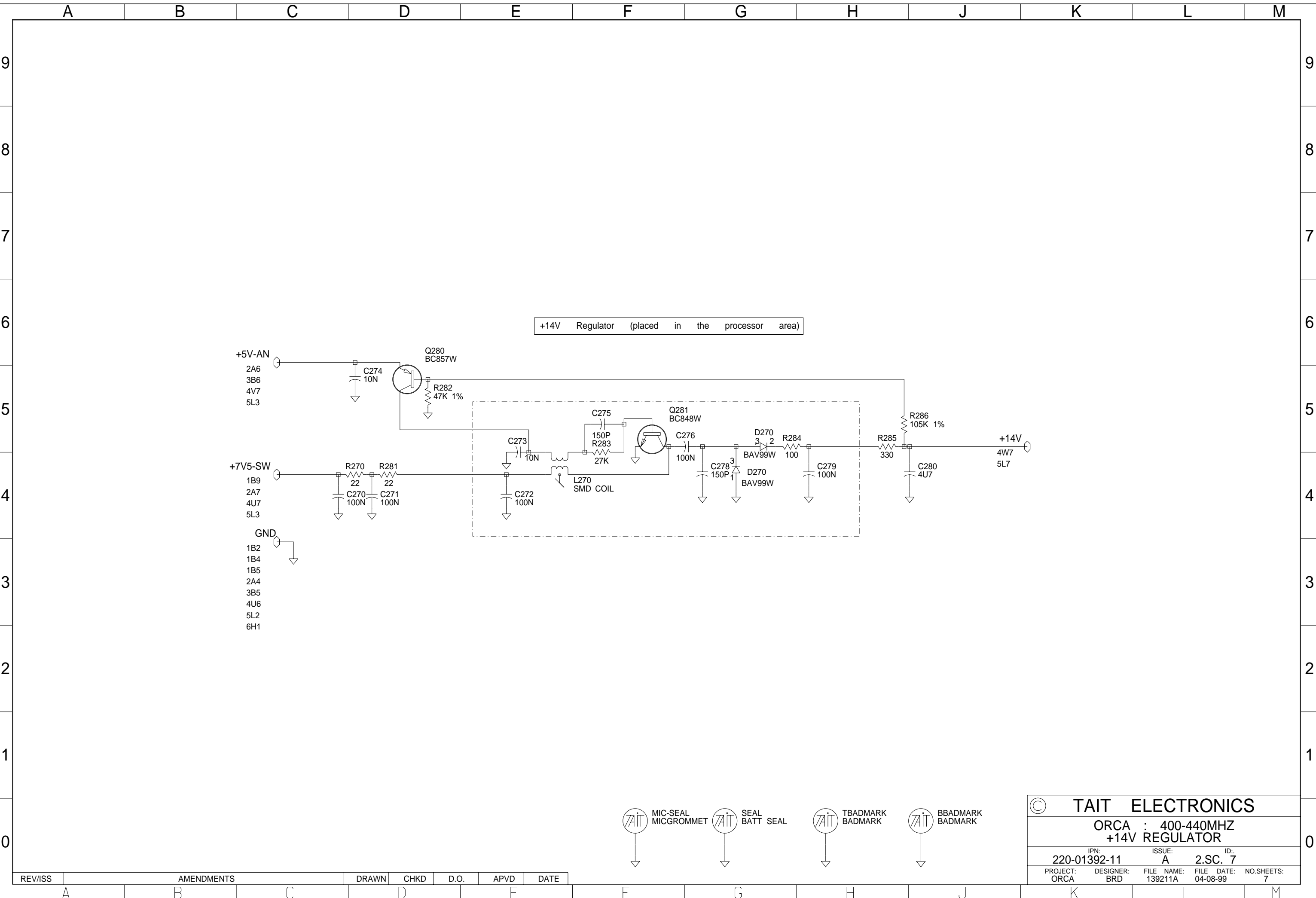
© TAIT ELECTRONICS

ORCA : 400-440MHZ VCO





IPN: 220-01392-11 ISSUE: A ID: 2.SC. 6

PROJECT: ORCA DESIGNER: BRD FILE NAME: 139211A FILE DATE: 04-08-99 NO.SHEETS: 7

REV/ISS	AMENDMENTS	DRAWN	CHKD	D.O.	APVD	DATE



+14V Regulator (placed in the processor area)

-  MIC-SEAL MICGROMMET
-  SEAL BATT SEAL
-  TBADMARK BADMARK
-  BBADMARK BADMARK

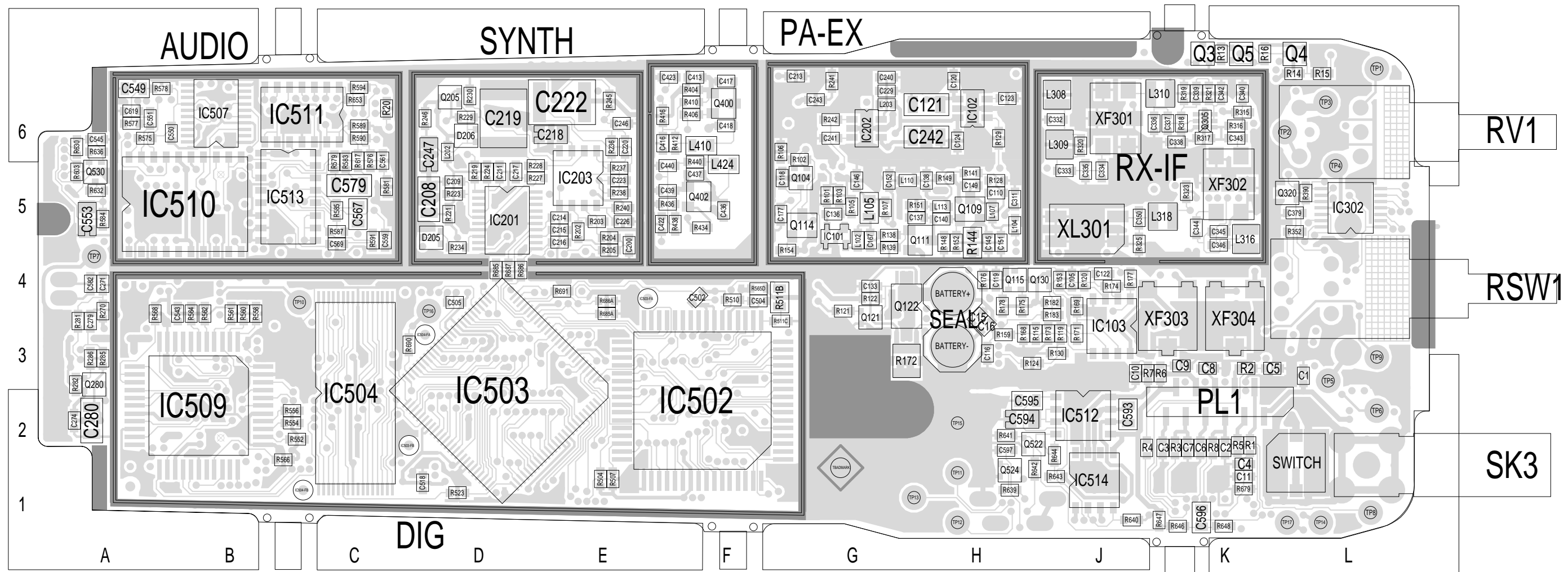
© TAIT ELECTRONICS

ORCA : 400-440MHZ
+14V REGULATOR

IPN: 220-01392-11 ISSUE: A ID: 2.SC. 7

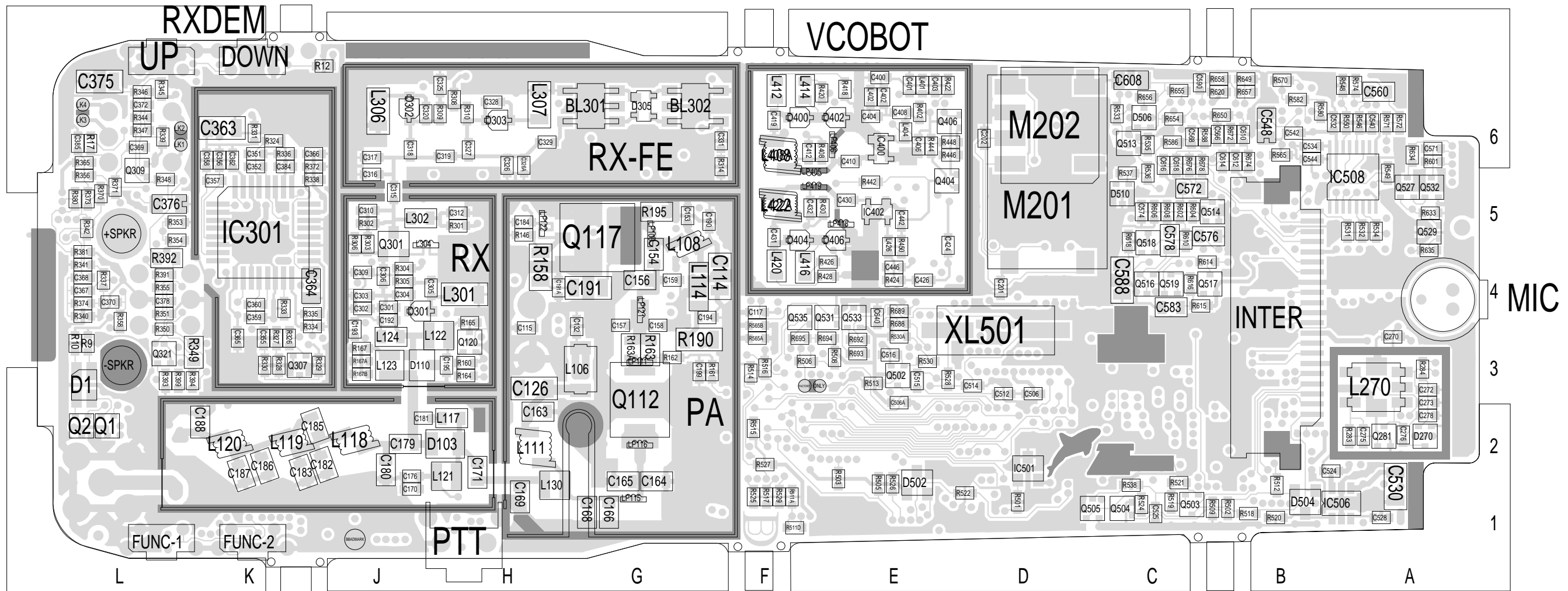
PROJECT: ORCA DESIGNER: BRD FILE NAME: 139211A FILE DATE: 04-08-99 NO.SHEETS: 7

REV/ISS	AMENDMENTS	DRAWN	CHKD	D.O.	APVD	DATE



TAIT ELECTRONICS IPN: 220-01392-11 ISS: -11A ID: 1.TA DATE: 6 Aug 1999
 ORCA UHF PCB LAYOUT - TOP SIDE

Scale: 2.3:1 ; Rotation: 0 degrees



TAIT ELECTRONICS IPN: 220-01392-11 ISS: -11A ID: 6.BA DATE: 6 Aug 1999
 ORCA UHF PCB LAYOUT - BOTTOM SIDE